

MODEL TXD

DIRECT DRIVE CENTRIFUGAL UPBLAST ROOF EXHAUSTER



MODEL FEATURES

- Exhaust air up to 3,400 CFM in high static pressure applications up to 1-1/4" w.g.
- Attractive spun aluminum exterior
- Direct drive units have low sound levels and quiet operation
- Non-overloading backward inclined wheel for efficiency at higher static pressures
- Roof or sidewall mounting options
- AMCA Air and Sound Licensed
- cULus 705 or 762 Listed


APPLICATION CONSTRUCTION OPTIONS

MODEL NAME	TYPICAL APPLICATIONS
TXD	Removal of clean or contaminated air in general applications
TXDRHUL	UL762 listed for grease removal
TXDW	Wall mount version of TXD
TXDWRHUL	UL762 version of TXDW

MODEL OVERVIEW

Model TXD direct drive fans are designed to exhaust air up to 3,400 CFM in high static pressure applications to 1-1/4". The aluminum exterior provides an attractive appearance. The non-overloading backward inclined wheel with its higher static pressure capability makes this unit suitable for either ducted or nonducted applications. Its roof or wall mounting permits location near the area to be ventilated, allowing short duct runs and more efficient operation. Direct drive units use smaller diameter wheels with lower rpm's, resulting in low sound levels and quiet operation. They have no belts or fan bearings to maintain or adjust and consequently require very little maintenance.

Isolation of the motor from the air stream and the high velocity vertical (roof) or horizontal (wall) air discharge make the Model TXD ideally suited for the removal of dirty, contaminated and/or high temperature air from processes and buildings. Typical applications include restaurant hoods and similar kitchen exhaust ventilation, fume and smoke removal, laboratory fume hood exhaust and chemical process exhaust.



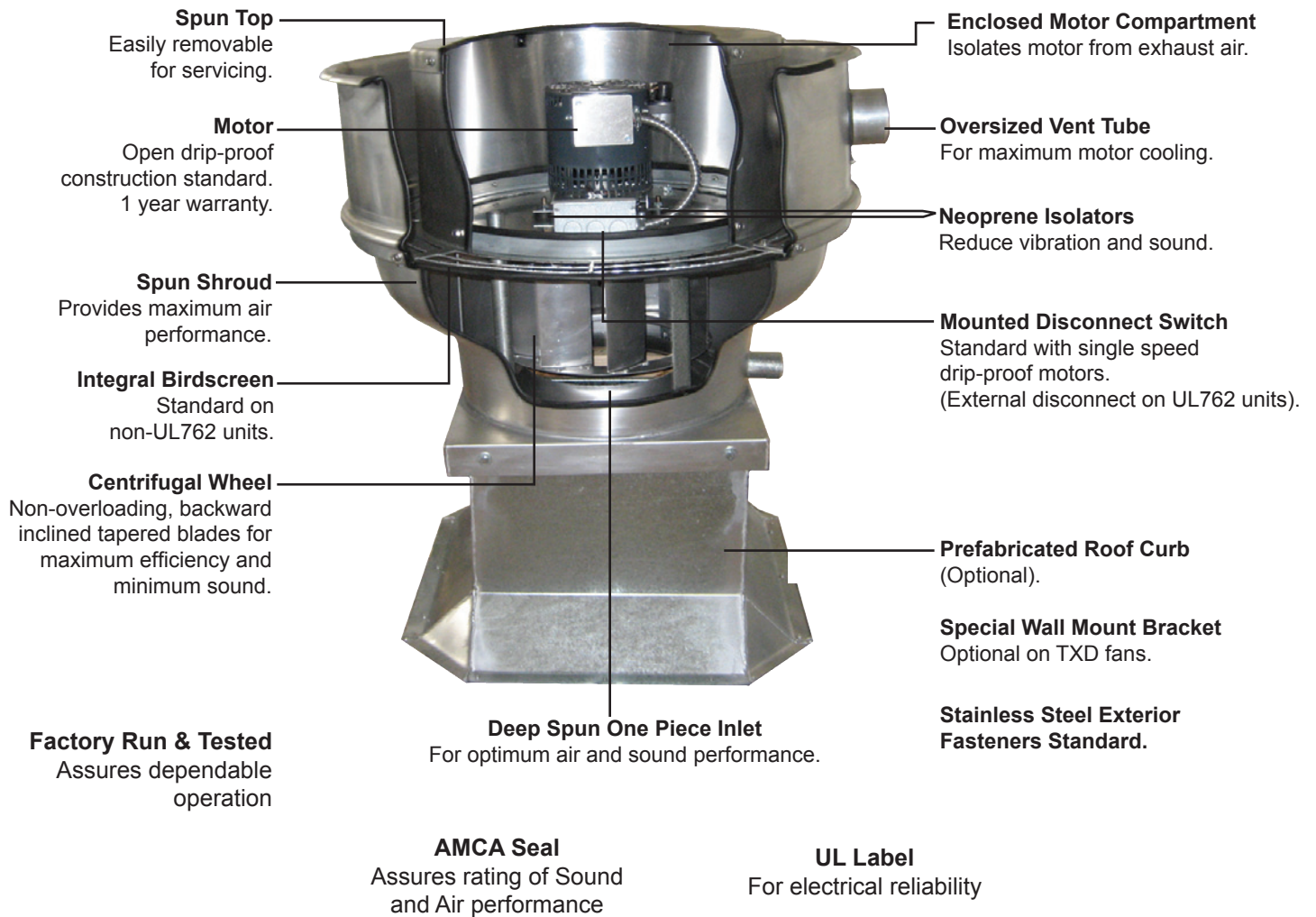
Models TXD or TXDRHUL are available in our Quickship program. All sizes are available for next day or 10-day shipping from stock.

**Industry best 5 year fan housing warranty, 1 year motor warranty
TXDRHUL units have 2 year fan housing warranty**



STANDARD CONSTRUCTION FEATURES AND OPTIONS

Model TXD





CONSTRUCTION/SPECIFICATION CHECKLIST

Housing

- Curb cap with integral deep single piece spun inlet for efficient performance and prevention of leakage into ductwork.
- Heavy-gauge aluminum housing and curb cap for strength and rigidity. Curb cap is galvanized steel on all UL762 units.
- Stainless steel alloy exterior fasteners.
- Enclosed, ventilated motor compartment isolates motor from exhaust air.
- Neoprene isolators for reduction of vibration and sound.
- Quick-Release latches on motor cover for easy access to motor compartment.
- Water-tight conduit tube for easy electrical connection without having to wire through the breather tube.
- Birdscreen included on standard models (not included on UL762 units).

Centrifugal Wheel

- Backward inclined for efficiency at higher static pressure.
- Non-overloading for safe operation in ducted systems.
- Heavy aluminum hub for extra strength.
- Close running tolerance between inlet cone and wheel inlet for maximum efficiency.
- Statically and dynamically balanced for smooth quiet operation.

Speed Controllable Motors

- Brands are nationally recognized and locally serviced.
- Standard motors are single speed, speed controllable and drip-proof.
- All motors are rated for continuous duty.
- Disconnect switch is standard with drip-proof motors.
- Heavy-gauge steel motor brackets designed for maximum strength.

Certifications

- AMCA Air and Sound Licensed.
- cULus 705 Listed Power Roof Ventilator label assures electrical reliability.
- UL762 Listed for Restaurant Exhaust Appliance available for applications where required.
- UL label must be specified when needed.
- NFPA - Model TXD is suitable for National Fire Protection Association installations. Contact factory for required accessories.

Fan RPM performances may vary from actual current motor offerings for any given model. See price publications or software for current motor RPM offerings.

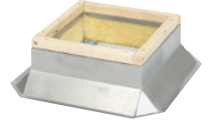


OPTIONS/ACCESSORIES

Solid State Speed Control: S&P's solid state control is matched to allow smooth RPM variation and adjustment of airflow for system balancing. CFM is reduced in direct proportion to motor speed reduction. Speed controllers available for 115/1 or 230/1 operation. Exhauster performance can be controlled from the ventilated area.



Roof Curb: Prefabricated heavy-gauge galvanized steel, welded construction, 12" high (other heights are also available) with 1-1/2" wood nailer. Assures perfect fit of exhauster to roof opening. Options include burglar bars, single or double pitch construction and hinged curbs for easy duct access.



Motor Operated Damper: Motor operated aluminum damper for positive closure against backdraft (Not for UL762 use).



Automatic Damper: Automatic aluminum damper for ease in installation and effective backdraft protection (Not for UL762 use).

Grease Grabber: Trap designed for fast and inexpensive replacement. Grease collects in a container for safe and sanitary disposal. Keeps roof clean with proper use.

Wall Mount Kit: Kit allows 6-15" fans to be wall mounted. Assembled as standard on all TXDW units, not available for not wall mount units. See current submittal for details.

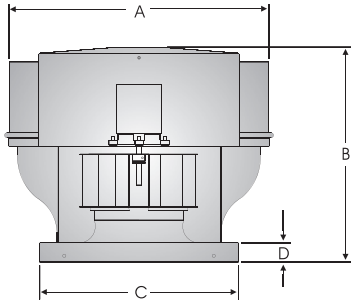
Curb Hinge Arrangement: The curb hinge arrangement provides easy access to the exhaust fan, backdraft damper, and duct for servicing and cleaning.

Special Coatings: Powered roof exhausters often require special coatings for protective and decorative purposes. Available coatings include: Synthetic Resin, Epoxy, and Heresite (air-dried phenolic). Contact your representative or the factory for more information on available coatings and colors.



PERFORMANCE/DIMENSIONS

TXD 6 AND 8



DAMPER OD	ROOF OPENING	CURB OD	A	B	C	D	FAN WT	SHIP WT
11	12	15	24	22	16-1/2	2	45	76

	CFM / BHP @ Static Pressure / Sones									HP	RPM	Tip Speed	
	0	1/8	1/4	3/8	1/2	5/8	3/4	7/8	1				Catalog Number
TXD 6	253 .02/3.1	185 .02/2.4	-	-	-	-	-	-	-	TXD-6SC	1/10	1110	2345
	274 .03/3.6	212 .03/3.0	-	-	-	-	-	-	-	TXD-6SC	1/10	1200	2535
	294 .03/4.2	237 .03/3.7	154 .03/3.2	-	-	-	-	-	-	TXD-6SC	1/10	1290	2725
	315 .04/4.9	262 .04/4.4	193 .04/3.9	-	-	-	-	-	-	TXD-6SC	1/10	1380	2915
	335 .05/5.6	286 .05/5.1	227 .05/4.6	115 .05/4.4	-	-	-	-	-	TXD-6SC	1/10	1470	3105
	356 .06/6.3	310 .06/5.8	258 .06/5.3	179 .06/5.1	-	-	-	-	-	TXD-6SC	1/10	1560	3296
	377 .07/7.0	334 .07/6.5	286 .07/6.0	220 .07/5.8	-	-	-	-	-	TXD-6SC	1/10	1650	3486
	397 .08/7.8	357 .08/7.3	312 .08/6.8	256 .08/6.5	168 .08/6.3	-	-	-	-	TXD-6SC	1/10	1740	3676
	410 .09/8.2	370 .09/7.7	328 .09/7.3	276 .09/6.9	203 .09/6.7	-	-	-	-	TXD-6	1/10	1795	3792
	533 .01/2.3	302 .01/1.2	-	-	-	-	-	-	-	TXD-8SC	1/4	680	1989
604 .02/3.2	420 .02/2.2	-	-	-	-	-	-	-	TXD-8SC	1/4	770	2252	
674 .03/4.1	525 .03/3.2	-	-	-	-	-	-	-	TXD-8SC	1/4	860	2516	
745 .03/5.0	616 .04/4.2	407 .04/3.2	-	-	-	-	-	-	TXD-8SC	1/4	950	2779	
815 .04/5.9	701 .05/5.2	536 .05/4.3	-	-	-	-	-	-	TXD-8SC	1/4	1040	3042	
866 .06/6.8	783 .06/6.2	644 .07/5.5	441 .06/4.5	-	-	-	-	-	TXD-8SC	1/4	1130	3305	
960 .07/7.8	867 .08/7.2	752 .08/6.6	594 .08/5.7	348 .07/5.0	-	-	-	-	TXD-8SC	1/4	1225	3583	
1031 .09/8.8	944 .10/8.2	844 .10/7.6	705 .10/6.9	527 .10/6.1	-	-	-	-	TXD-8SC	1/4	1315	3846	
1101 .11/9.9	1021 .12/9.3	930 .12/8.7	814 .13/8.1	673 .13/7.3	468 .12/6.7	-	-	-	TXD-8SC	1/4	1405	4109	
1172 .13/11.0	1097 .14/10.4	1014 .15/9.8	916 .15/9.2	786 .15/8.6	631 .15/7.9	414 .13/7.3	-	-	TXD-8SC	1/4	1495	4373	
1242 .16/12.1	1172 .17/11.6	1095 .17/11.0	1008 .18/10.5	895 .18/9.9	772 .18/9.2	600 .17/8.6	361 .15/8.1	-	TXD-8SC	1/4	1585	4636	
1313 .19/13.5	1247 .19/12.8	1175 .20/12.3	1096 .21/11.8	1002 .21/11.2	883 .22/10.6	754 .21/9.9	579 .20/9.4	309 .16/8.9	TXD-8SC	1/4	1675	4899	
1364 .21/14.3	1300 .22/13.8	1232 .23/13.2	1158 .23/12.7	1072 .24/12.2	960 .24/11.6	851 .24/11.0	698 .23/10.4	510 .21/9.9	TXD-8	1/4	1740	5090	

Performance certified is for installation type A - free inlet, free outlet.
Performance ratings include the effects of birdscreen.
The sound ratings shown are loudness values in fan sones @ 5' (1.5m) in a hemispherical free field calculated per AMCA Standard 301. Values shown are for: Installation Type A: free inlet hemispherical sone levels.
Base Unit - AMCA Seal does not apply to units with speed control (bolded).
SC RPM range capable with solid state speed control.
Speed (RPM) shown is nominal. Performance is based on actual speed of test.



JencoFan Ventilation Systems, LLC., Div. of Soler & Palau Ventilation Group certifies that the Models TXD shown herein are licensed to bear the AMCA Seal. The ratings shown are based on test and procedures performed in accordance with AMCA Publication 211 and AMCA Publication 311 and comply with the requirement of the AMCA Certified Ratings Program.

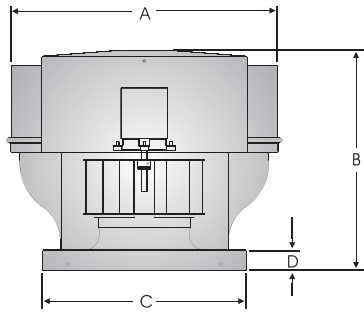


UL STANDARD 705 for Electrical
UL STANDARD 762 for Grease Removal



MODEL TXD
DIRECT DRIVE CENTRIFUGAL UPBLAST ROOF EXHAUSTER

TXD 10



DAMPER OD	ROOF OPENING	CURB OD	A	B	C	D	FAN WT	SHIP WT
11	12	15	27-1/4	22	16-1/2	2	70	105

CFM / BHP @ Static Pressure / Sones										HP	RPM	Tip Speed
0	1/8	1/4	3/8	1/2	5/8	3/4	7/8	1	Catalog Number			
580	357	-	-	-	-	-	-	-	TXD-102511SC	1/4	680	2122
.02/2.7	.02/3.0	-	-	-	-	-	-	-	TXD-102511SC	1/4	770	2402
656	468	139	-	-	-	-	-	-	TXD-102511SC	1/4	815	2543
.02/3.9	.03/4.2	.02/3.8	-	-	-	-	-	-	TXD-102511SC	1/4	860	2683
695	518	268	-	-	-	-	-	-	TXD-102511SC	1/4	905	2824
.03/4.5	.03/4.8	.03/4.5	-	-	-	-	-	-	TXD-102511SC	1/4	950	2964
733	567	354	-	-	-	-	-	-	TXD-102511SC	1/4	995	3104
.03/5.0	.04/5.4	.04/5.2	-	-	-	-	-	-	TXD-102511SC	1/4	1040	3245
772	615	426	-	-	-	-	-	-	TXD-102511SC	1/4	1085	3385
.04/5.6	.04/6.0	.04/6.0	-	-	-	-	-	-	TXD-102511SC	1/4	1130	3526
810	662	489	197	-	-	-	-	-	TXD-102511SC	1/4	1140	3557
.04/6.3	.05/6.7	.05/6.8	.04/6.3	-	-	-	-	-	TXD-102511SC	1/4	1185	3697
848	707	548	321	-	-	-	-	-	TXD-102511SC	1/4	1230	3838
.05/6.9	.05/7.4	.06/7.6	.05/7.1	-	-	-	-	-	TXD-102511SC	1/4	1320	4118
887	752	604	411	-	-	-	-	-	TXD-102511SC	1/4	1410	4399
.05/7.7	.06/8.1	.07/8.5	.06/8.0	-	-	-	-	-	TXD-102511SC	1/4	1500	4680
925	797	657	486	181	-	-	-	-	TXD-102511SC	1/4	1545	4820
.06/8.4	.07/9.0	.07/9.5	.07/9.0	.06/8.5	-	-	-	-	TXD-102511SC	1/4	1590	4961
963	840	708	553	326	-	-	-	-	TXD-102511SC	1/4	1635	5101
.07/9.1	.08/9.6	.08/10.1	.08/9.8	.08/9.3	-	-	-	-	TXD-102511SC	1/4	1650	5148
972	850	719	567	350	-	-	-	-	TXD-102511	1/4	1680	5242
.07/9.2	.08/9.7	.08/10.2	.09/9.9	.08/9.4	-	-	-	-	TXD-1025	1/4	1700	5304
1010	893	769	628	445	-	-	-	-	TXD-1025SC	1/4	1700	5304
.08/8.5	.09/7.8	.09/7.1	.10/6.2	.09/5.3	-	-	-	-	TXD-1025SC	1/4	1700	5304
1049	936	817	686	524	267	-	-	-	TXD-1025SC	1/4	1700	5304
.09/9.1	.10/8.3	.10/7.7	.11/6.8	.11/5.9	.09/5.2	-	-	-	TXD-1025SC	1/4	1700	5304
1125	1021	912	794	660	488	180	-	-	TXD-1025SC	1/4	1700	5304
.11/10.4	.12/9.6	.13/8.9	.13/8.1	.14/7.2	.13/6.5	.10/5.8	-	-	TXD-1025SC	1/4	1700	5304
1202	1105	1003	896	779	642	461	102	-	TXD-1025SC	1/4	1700	5304
.13/11.7	.14/10.9	.15/10.2	.16/9.5	.16/8.6	.16/7.8	.15/7.1	.10/6.5	-	TXD-1025SC	1/4	1700	5304
1279	1188	1093	994	888	771	631	444	-	TXD-1025SC	1/4	1700	5304
.16/13.0	.17/12.3	.18/11.6	.19/11.0	.20/10.1	.20/9.2	.19/8.5	.18/7.8	-	TXD-1025SC	1/4	1700	5304
1317	1230	1137	1042	941	830	703	544	298	TXD-1025SC	1/4	1700	5304
.18/13.7	.19/13.0	.20/12.3	.21/11.7	.22/10.8	.22/10.0	.21/9.2	.20/8.5	.17/7.9	TXD-1025SC	1/4	1700	5304
1356	1271	1181	1089	992	888	770	630	440	TXD-1025SC	1/4	1700	5304
.19/14.5	.20/13.7	.22/13.0	.22/12.4	.23/11.6	.23/10.8	.23/10.0	.23/9.2	.21/8.6	TXD-1025SC	1/4	1700	5304
1394	1312	1224	1135	1042	943	833	706	547	TXD-1025SC	1/4	1700	5304
.21/15.2	.22/14.5	.23/13.7	.24/13.1	.25/12.4	.25/11.6	.26/10.7	.25/10.0	.24/9.4	TXD-1025SC	1/4	1700	5304
1407	1325	1239	1151	1059	961	854	731	579	TXD-1025	1/4	1700	5304
.22/15.5	.23/14.7	.24/14.0	.25/13.3	.26/12.7	.26/11.8	.26/11.0	.26/10.3	.25/9.6	TXD-1025	1/4	1700	5304
1432	1353	1268	1181	1092	997	893	777	637	TXD-1033SC	1/3	1680	5242
.23/16.0	.24/15.2	.25/14.5	.26/13.8	.27/13.2	.27/12.3	.28/11.6	.28/10.8	.27/10.2	TXD-1033SC	1/3	1680	5242
1449	1371	1287	1201	1113	1020	919	807	674	TXD-1033	1/3	1700	5304
.24/16.3	.25/15.6	.26/14.9	.27/14.2	.28/13.5	.28/12.7	.29/11.9	.29/11.2	.28/10.5	TXD-1033	1/3	1700	5304

Performance certified is for installation type A - free inlet, free outlet.
 Performance ratings include the effects of birdscreen.
 The sound ratings shown are loudness values in fan sones @ 5' (1.5m) in a hemispherical free field calculated per AMCA Standard 301. Values shown are for: Installation Type A: free inlet hemispherical sone levels.
Base Unit - AMCA Seal does not apply to units with speed control (bolded).
 SC RPM range capable with solid state speed control.
 Speed (RPM) shown is nominal. Performance is based on actual speed of test.



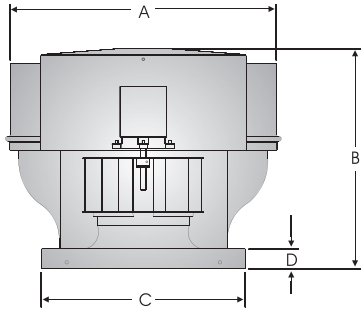
JencoFan Ventilation Systems, LLC., Div. of Soler & Palau Ventilation Group certifies that the Models TXD shown herein are licensed to bear the AMCA Seal. The ratings shown are based on test and procedures performed in accordance with AMCA Publication 211 and AMCA Publication 311 and comply with the requirement of the AMCA Certified Ratings Program.



UL STANDARD 705 for Electrical
 UL STANDARD 762 for Grease Removal



TXD 12



DAMPER OD	ROOF OPENING	CURB OD	A	B	C	D	FAN WT	SHIP WT
18	19-1/4	22-1/4	31-1/2	23	24	2	80	115

CFM / BHP @ Static Pressure / Sones											HP	RPM	Tip Speed
0	1/8	1/4	3/8	1/2	5/8	3/4	7/8	1	1-1/4	Catalog Number			
964 .03/4.3	712 .03/3.3	352 .03/2.5	-	-	-	-	-	-	-	TXD-1225SC	1/4	680	2519
1028 .03/4.9	797 .03/3.9	492 .04/3.1	-	-	-	-	-	-	-	TXD-1225SC	1/4	725	2686
1092 .04/5.5	881 .05/4.5	610 .05/3.7	-	-	-	-	-	-	-	TXD-1225SC	1/4	770	2853
1156 .05/6.2	962 .05/5.2	715 .06/4.4	-	-	-	-	-	-	-	TXD-1225SC	1/4	815	3020
1219 .06/6.8	1040 .06/5.9	809 .07/5.2	520 .06/4.6	-	-	-	-	-	-	TXD-1225SC	1/4	860	3186
1283 .07/7.4	1116 .07/6.5	897 .08/5.8	649 .08/5.1	-	-	-	-	-	-	TXD-1225SC	1/4	905	3353
1347 .08/7.9	1190 .08/7.0	985 .09/6.4	764 .09/5.7	455 .08/5.3	-	-	-	-	-	TXD-1225SC	1/4	950	3520
1411 .09/8.4	1262 .10/7.6	1071 .10/6.9	869 .10/6.4	607 .10/5.9	-	-	-	-	-	TXD-1225SC	1/4	995	3686
1475 .10/9.0	1332 .11/8.2	1155 .12/7.6	964 .12/7.0	736 .12/6.5	419 .10/6.5	-	-	-	-	TXD-1225SC	1/4	1040	3853
1538 .12/9.5	1402 .12/8.8	1239 .13/8.2	1053 .14/7.6	852 .14/7.1	590 .12/6.6	-	-	-	-	TXD-1225SC	1/4	1085	4020
1616 .13/10.3	1487 .14/9.6	1338 .15/9.1	1161 .16/8.5	983 .16/8.0	760 .15/7.4	462 .13/7.2	-	-	-	TXD-1225	1/4	1140	4224
1666 .15/10.8	1540 .16/10.2	1399 .16/9.7	1228 .17/9.1	1060 .17/8.5	855 .17/8.0	599 .15/7.8	-	-	-	TXD-1250SC	1/2	1175	4353
1794 .18/12.4	1676 .20/11.7	1553 .20/11.2	1399 .21/10.7	1240 .22/10.2	1078 .22/9.5	877 .21/9.0	632 .19/8.7	-	-	TXD-1250SC	1/2	1265	4687
1921 .22/14.0	1811 .24/13.3	1701 .25/12.8	1565 .25/12.3	1415 .26/11.8	1269 .26/11.2	1108 .26/10.7	916 .26/10.2	685 .23/9.8	-	TXD-1250SC	1/2	1355	5022
1985 .25/14.7	1878 .26/14.1	1773 .27/13.6	1645 .28/13.1	1501 .29/12.6	1359 .29/12.1	1213 .29/11.6	1038 .29/11.1	836 .27/10.7	-	TXD-1250SC	1/2	1400	5187
2049 .27/15.6	1945 .29/14.9	1844 .30/14.5	1724 .30/13.9	1586 .31/13.5	1446 .32/12.9	1310 .32/12.4	1152 .32/12.0	969 .31/11.5	-	TXD-1250SC	1/2	1445	5354
2113 .30/16.5	2011 .32/15.8	1914 .32/15.3	1802 .33/14.9	1670 .34/14.3	1534 .35/13.8	1402 .35/13.3	1259 .35/12.8	1092 .35/12.4	673 .30/11.8	TXD-1250SC	1/2	1490	5520
2177 .33/17.3	2078 .34/16.7	1984 .35/16.2	1878 .36/16.7	1753 .37/15.3	1620 .37/15.3	1491 .38/14.2	1361 .38/13.7	1207 .38/13.3	837 .35/12.7	TXD-1250SC	1/2	1535	5687
2240 .36/18.2	2144 .37/17.5	2053 .38/17.1	1953 .39/16.6	1834 .40/16.2	1706 .41/15.8	1578 .42/15.3	1455 .42/14.7	1316 .42/14.2	980 .40/13.4	TXD-1250SC	1/2	1580	5854
2304 .39/19.1	2210 .41/18.4	2122 .42/17.9	2027 .42/17.5	1915 .43/17.1	1791 .44/16.6	1666 .45/16.2	1545 .46/15.7	1419 .46/15.3	1110 .45/14.3	TXD-1250SC	1/2	1625	6021
2410 .44/21	2320 .46/19.9	2236 .48/19.5	2148 .48/19.0	2045 .49/18.6	1930 .50/18.2	1810 .51/17.7	1692 .52/17.2	1577 .52/16.8	1308 .52/16.0	TXD-1250SC	1/2	1700	6299
2453 .47/21	2364 .49/21	2281 .50/20	2196 .51/19.6	2097 .52/19.2	1985 .53/18.7	1867 .54/18.3	1751 .55/17.8	1638 .55/17.4	1384 .55/16.6	TXD-1250	1/2	1730	6410

Performance certified is for installation type A - free inlet, free outlet.
 Performance ratings include the effects of birdscreen.
 The sound ratings shown are loudness values in fan sones @ 5' (1.5m) in a hemispherical free field calculated per AMCA Standard 301. Values shown are for: Installation Type A: free inlet hemispherical sone levels.
Base Unit - AMCA Seal does not apply to units with speed control (bolded).
 SC RPM range capable with solid state speed control.
 Speed (RPM) shown is nominal. Performance is based on actual speed of test.



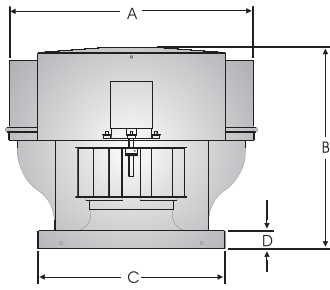
JencoFan Ventilation Systems, LLC., Div. of Soler & Palau Ventilation Group certifies that the Models TXD shown herein are licensed to bear the AMCA Seal. The ratings shown are based on test and procedures performed in accordance with AMCA Publication 211 and AMCA Publication 311 and comply with the requirement of the AMCA Certified Ratings Program.



UL STANDARD 705 for Electrical
UL STANDARD 762 for Grease Removal



TXD 14 AND 15



DAMPER OD	ROOF OPENING	CURB OD	A	B	C	D	FAN WT	SHIP WT
18	19-1/4	22-1/4	31-1/2	23	24	2	85	120

	CFM / BHP @ Static Pressure / Sones										HP	RPM	Tip Speed	
	0	1/8	1/4	3/8	1/2	5/8	3/4	7/8	1	1-1/4				Catalog Number
TXD 14	983 .04/3.6	680 .05/3.1	338 .04/16	-	-	-	-	-	-	-	TXD-1425SC	1/4	650	2514
	1058 .05/4.4	784 .06/3.9	461 .06/3.6	-	-	-	-	-	-	-	TXD-1425SC	1/4	700	2707
	1134 .06/5.2	884 .07/4.7	580 .07/4.4	298 .10/4.2	-	-	-	-	-	-	TXD-1425SC	1/4	750	2901
	1210 .07/5.9	980 .08/5.3	697 .09/5.1	424 .10/4.8	-	-	-	-	-	-	TXD-1425SC	1/4	800	3094
	1285 .09/6.5	1073 .10/6.1	810 .10/5.9	547 .10/5.6	303 .08/5.4	-	-	-	-	-	TXD-1425SC	1/4	850	3287
	1361 .10/7.3	1164 .11/6.8	920 .12/6.6	667 .10/6.4	430 .11/6.1	-	-	-	-	-	TXD-1425SC	1/4	900	3481
	1436 .12/8.1	1253 .13/7.7	1026 .14/7.4	784 .10/7.2	554 .13/6.9	338 .11/6.9	-	-	-	-	TXD-1425SC	1/4	950	3674
	1512 .14/8.9	1340 .15/8.5	1129 .16/8.2	900 .20/8.1	676 .16/7.8	466 .14/7.6	262 .10/7.6	-	-	-	TXD-1425SC	1/4	1000	3868
TXD 15	1918 .11/7.6	1702 .12/6.8	1414 .13/6.0	1065 .13/6.0	-	-	-	-	-	-	TXD-1550SC	1/2	795	3359
	2135 .15/9.0	1948 .17/8.2	1710 .18/7.5	1406 .18/7.1	1087 .17/7.5	-	-	-	-	-	TXD-1550SC	1/2	885	3739
	2352 .20/10.5	2188 .22/9.8	1983 .23/9.1	1736 .24/8.6	1444 .24/8.6	1145 .23/9.5	-	-	-	-	TXD-1550SC	1/2	975	4119
	2461 .23/11.3	2305 .25/10.6	2114 .26/9.9	1888 .27/9.4	1616 .28/9.1	1349 .27/10.0	981 .24/11.2	-	-	-	TXD-1550SC	1/2	1020	4310
	2569 .26/12.1	2422 .28/11.4	2241 .30/10.8	2034 .31/10.2	1787 .32/9.7	1522 .31/10.6	1239 .30/11.7	777 .24/13.1	-	-	TXD-1550SC	1/2	1065	4500
	2786 .33/13.9	2653 .36/13.2	2491 .38/12.6	2313 .39/12.0	2104 .40/11.5	1863 .41/11.8	1623 .40/12.9	1362 .38/14.2	969 .33/15.7	-	TXD-1550	1/2	1155	4880
	3443 1.30/31	3372 1.31/30	3299 1.31/29	3222 1.32/29	3141 1.33/28	3055 1.33/27	2964 1.34/26	2866 1.33/26	2758 1.33/26	2508 1.30/25	TXD1515	1-1/2	1760	7055

Performance certified is for installation type A - free inlet, free outlet.
Performance ratings include the effects of birdscreen.
The sound ratings shown are loudness values in fan sones @ 5' (1.5m) in a hemispherical free field calculated per AMCA Standard 301. Values shown are for: Installation Type A: free inlet hemispherical sone levels.
Base Unit - AMCA Seal does not apply to units with speed control (bolded).
SC RPM range capable with solid state speed control.
Speed (RPM) shown is nominal. Performance is based on actual speed of test.



JencoFan Ventilation Systems, LLC., Div. of Soler & Palau Ventilation Group certifies that the Models TXD shown herein are licensed to bear the AMCA Seal. The ratings shown are based on test and procedures performed in accordance with AMCA Publication 211 and AMCA Publication 311 and comply with the requirement of the AMCA Certified Ratings Program.



UL STANDARD 705 for Electrical
UL STANDARD 762 for Grease Removal